

Step 1: Commence spray application at the bottom flange with nozzle facing up, angled slightly. Spray the bottom flange tip whilst letting overspray spatter onto the web.

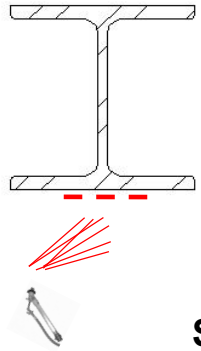
Step 2: Raise the nozzle, ensuring the same angle and apply to the upper web and flange.

Step 3: Proceed to spray the down shot, paying attention to rolling the flange tips.

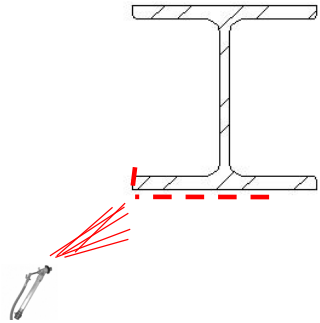
Repeat Steps 1-3 on the opposite side of the beam.

Ensure Flute Fill to Beams that run perpendicular to deck.

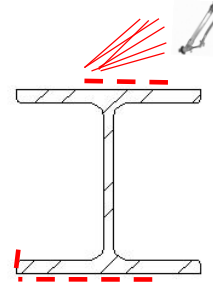




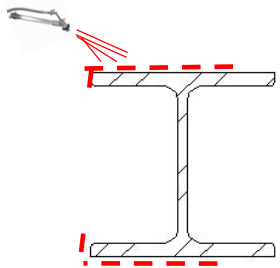
STEP 1



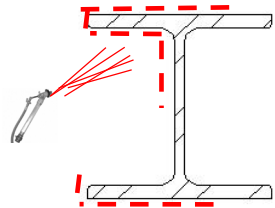
STEP 2



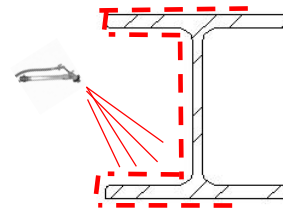
STEP 3



STEP 4



STEP 5



STEP 6

Step 1: Stand facing the web of the column and begin application by holding the nozzle tight to the steel at a 90° angle, applying material up the centre of the column.

Step 2: Begin to build thickness in light coats, from the bottom to the top of the column and back, working from the centre to the flange tip and inside web. Ensure the nozzle is held at 45° and roll flange tips ensuring overspray goes into the web portion of the column to minimize loss.

Step 3: Flip the nozzle and repeat Step 1 on the adjacent face.

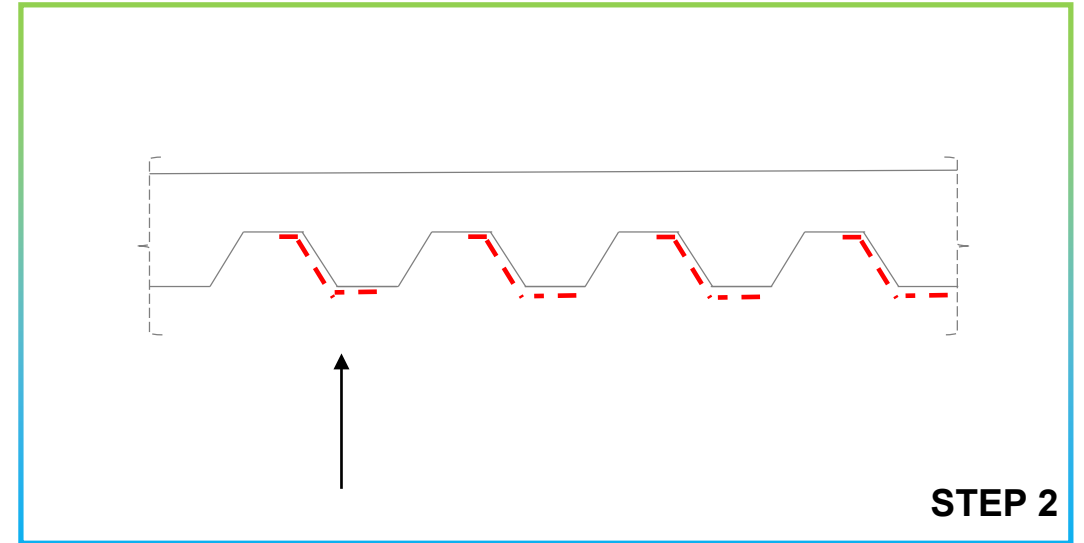
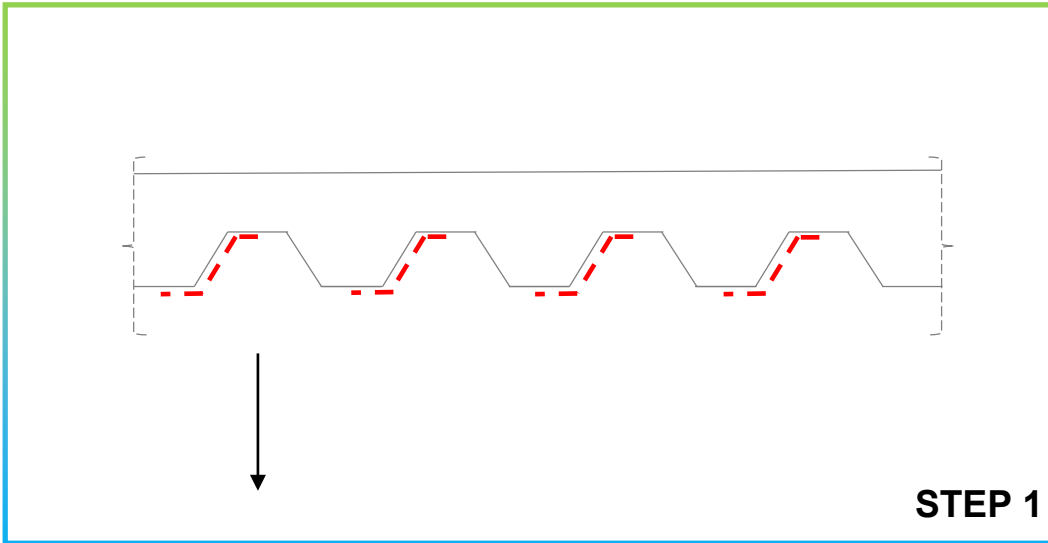
Step 4: Repeat Step 2.

Step 5: Position the nozzle at a 45° angle to the inside web, build thickness in light coats starting from the bottom and working towards to the top of the column. Control the nozzle distance based on the width of the column to minimize loss.

Step 6: Repeat Step 5.

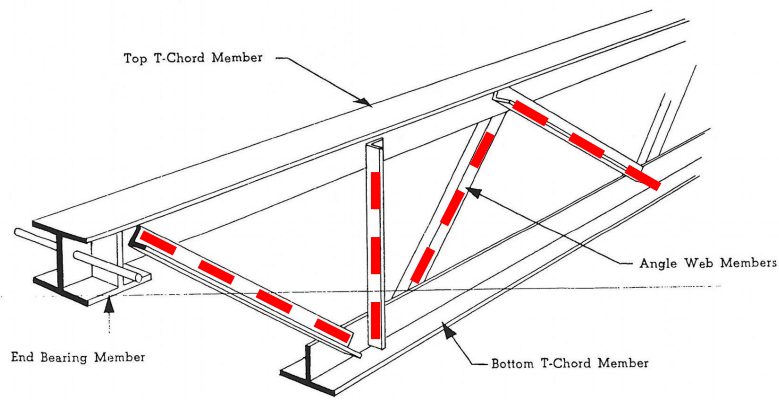
Repeat steps 2, 4, 5 & 6 on opposite side of the column



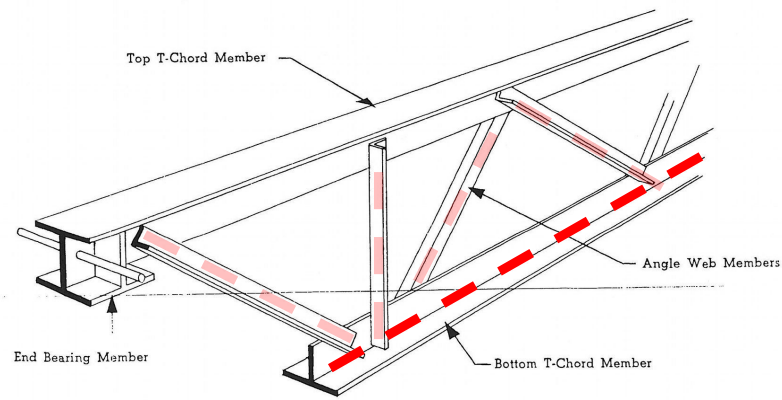


1. Position yourself in the centre of the section.
2. Walk away from the sprayed area (directional arrow as shown)
3. Angle the nozzle to ensure application from center of the bottom crest to the center of the valley.
4. Apply in a Sweeping motion.
5. Turn around and repeat to complete Step 2.

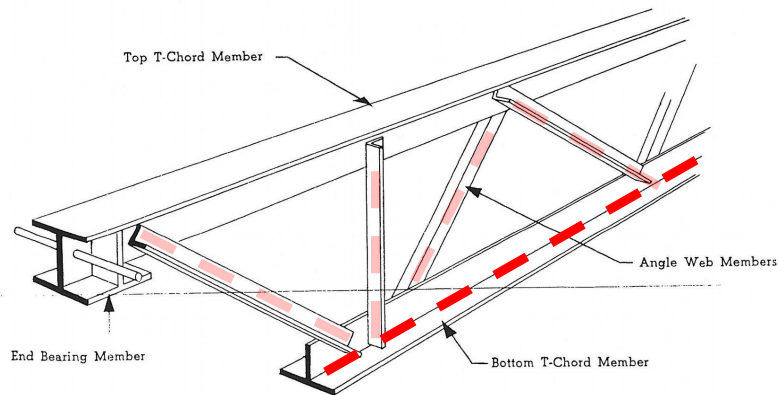




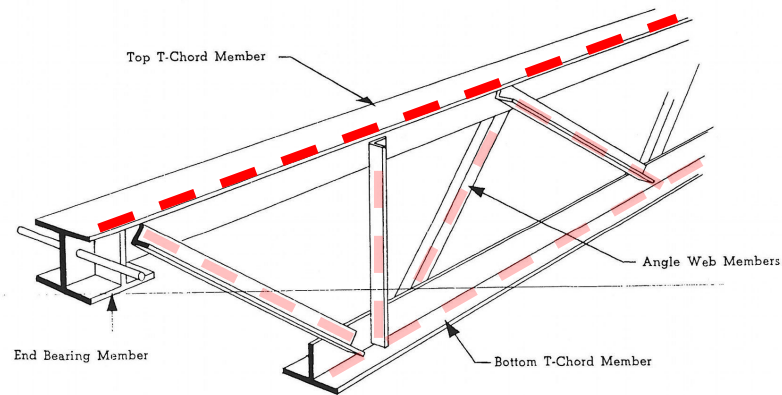
STEP 1



STEP 2



STEP 3



STEP 4

Step 1: Start the application of diagonal web members. Follow the contour to within a comfortable reach. The distance the nozzle is held from the OWSJ is critical in controlling waste.

Step 2: Hold the spray nozzle fairly tight to the bottom chord. Spray the bottom flange while focusing on flange tip coverage.

Step 3: Rotate the nozzle and commence down shots on the “top” of the bottom chord.

Step 4: Raise the nozzle to the top chord and commence application by holding the nozzle tight, ensuring that flutes are also being filled above the top chord on perpendicular members.

TIP: The use of EIFS MESH or similar scrim will facilitate the application and assist in reducing overspray and waste.

